

# AEROPRAKT INFORMATION BULLETIN

## INSTALLATION OF PROTECTING COVERS ON A-22LS AND A-22L2 AIRPLANES.

IB A-22LS-05

### **MANDATORY**

#### **Repeating symbols:**

Please, pay attention to the following symbols throughout this document marking important information.

- ▲ **WARNING:** Identifies an instruction, which if not followed may cause serious injury or even death.
- **CAUTION:** Denotes an instruction, which if not followed, may cause severe damage.
- ◆ **NOTE:** Information useful for better handling.

#### **1. Planning information**

##### **1.1) Aircraft affected**

All versions of Aeroprakt-22LS airplanes series No. 1-125 and Aeroprakt-22L2 airplanes series No. 345-393 not equipped with warmth-keeping cockpit partition.

##### **1.2) Reason**

Possibility for foreign objects to get between the control system elements behind the landing gear beam. Effect: limitation of control system elements' travel, jamming.

##### **1.3) Subject**

Protecting covers.

##### **1.4) Compliance**

Inspect the area behind the landing gear beam and connections of the flight control system elements. Remove any foreign object if found.

##### **1.5) Approval**

The technical content of this Information Bulletin has been approved by Aeroprakt

##### **1.6) Manpower**

Replacement of the central and installation of the rear panel by one person will take not more than 1 hour.

##### **1.7) Mass data**

Mass change: +0.230 kg

##### **1.8) Revision of other documents**

None

##### **1.9) Spare parts**

A set of panels and fasteners are supplied by local dealer.

## **2. Spare parts information**

### **2.1) Spare parts list**

The new parts (see fig.1) may be supplied as one of the following versions:

#### **Set No.1** (inch fasteners)

- 1 – central panel (1 pc.),
- 2 – rear panel (1 pc.),
- 3 – blind rivet nut RN832130SKR (4 pcs.),
- 4 – screw AN526-832R8 (4 pcs.).

#### **Set No.2** (metric fasteners)

- 1 – central panel (1 pc.),
- 2 – rear panel (1 pc.),
- 3 – blind rivet nut M4 BRALO (0371204006) (4 pcs.),
- 4 – screw 4-12-11B DIN 967 (5024012-2) (4 pcs.).

### **2.2) Cost**

On the cost issue of the supplied parts contact the local dealer.

### **2.3) Special tooling / materials**

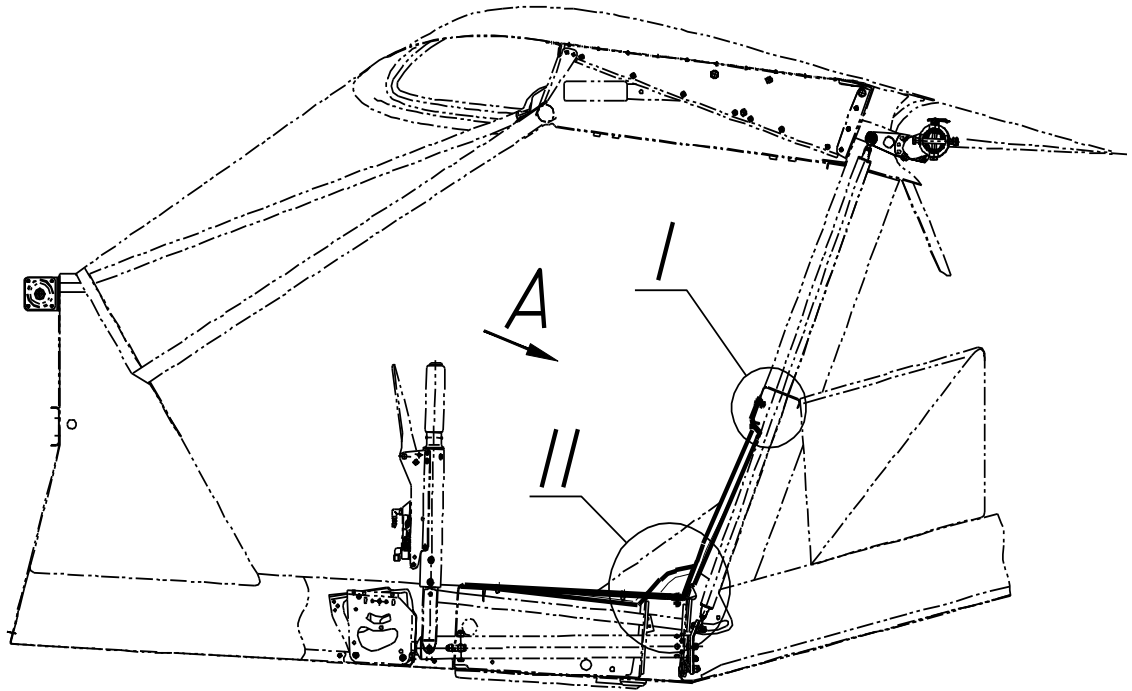
- 1. Hand drill;
- 2. Drill bit  $\varnothing 4.5$  mm;
- 3. Drill bit  $\varnothing 6.8$  mm (for the set No.1);
- 4. Drill bit  $\varnothing 6.1$  mm (for the set No.2);
- 5. Chamfer bit  $90^\circ$ ;
- 6. Screwdriver (cruciform);
- 7. Rivet nut hand tool.

## **3. Accomplishment / Instructions**

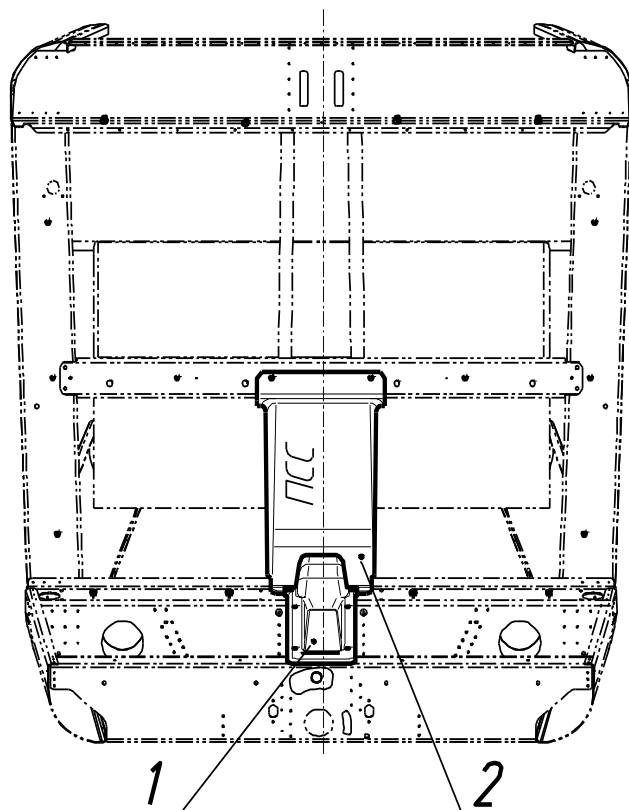
- 1. Unscrew four (4a) screws and remove the old central panel.
- 2. For the airplanes with parachute system installed: make a cutout for the parachute system deployment handle in the new central panel (1). For that use the old panel as the template by fixing it to the new one with the screws in the forward holes.
- 3. Install the new panels on the airplane. Put the central panel (1) on top of the rear panel (2) flanges and fix with the screws (4a).
- 4. Using the holes in the panels as guides make four  $\varnothing 4.5$  mm holes in fuselage structure.
- 5. Remove the panels. Enlarge the  $\varnothing 4.5$  mm holes for installation of the rivet nuts ( $\varnothing 6.8$  or  $\varnothing 6.1$  mm) and blunt the hole edges with  $0.6 \times 45^\circ$  chamfer.
- 6. Install four rivet nuts (3) into the prepared holes.
- 7. Install the central panel (1) and rear panel (2), fix them with the screws (4).

4) Appendix

Fig.1



A O



	D, mm
Set No.1	6,8
Set No.2	6,1

